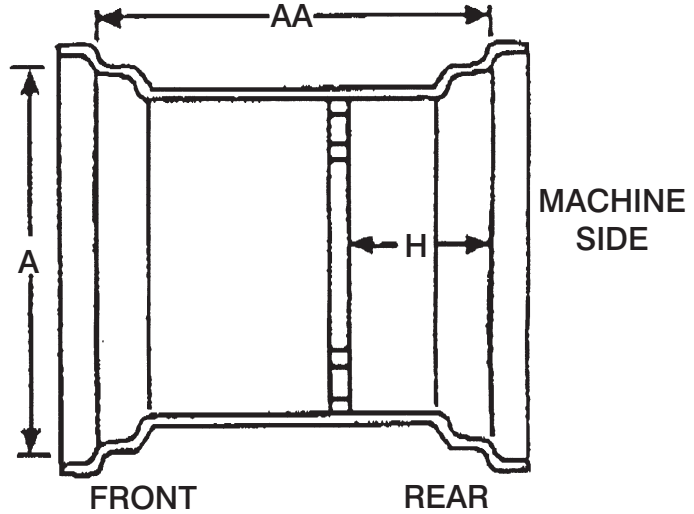
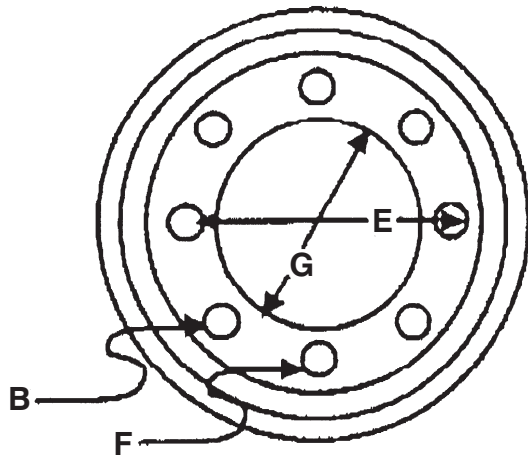


BUD ROBERTS CO., INC.

MAKE _____ MODEL _____ 2- OR 4-WHEEL DRIVE

SERIAL NO. _____ LOCATION _____



	FRONT		REAR	
A. RIM DIAMETER	_____	_____	_____	_____
A.A. RIM WIDTH	_____	_____	_____	_____
B. BOLT HOLE SIZE	_____	_____	_____	_____
C. STUD SIZE	_____	_____	_____	_____
D. NUMBER OF BOLT HOLES	_____	_____	_____	_____
E. BOLT HOLE CIRCLE DIAMETER	_____	_____	_____	_____
F. COUNTERSUNK	Y	N	Y	N
G. CENTER HOLE DIAMETER	_____	_____	_____	_____
H. CENTER PLATE SETTING (FROD)	_____	_____	_____	_____
I. TIRE SIZE	_____	_____	_____	_____
J. CLEARANCE FROM VEHICLE	_____	_____	_____	_____
K. REMARKS	_____	_____	_____	_____
L. LOCK RING TYPE	Y	N	Y	N
M. LOCK RING MOUNTED	IN-OUT	_____	IN-OUT	_____

Bud Roberts Co., Inc.

3027 Summer Oak Place • Buford, GA 30518-0401
Office (800) 955-8288 (678) 546-8691 • Fax (678) 546-8692
E-mail: sales@budrobertsco.com